

4

3

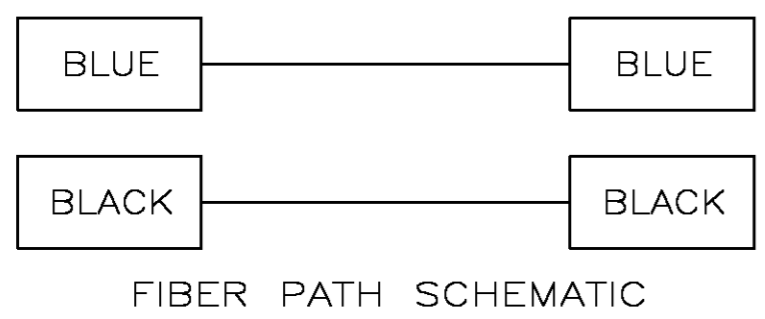
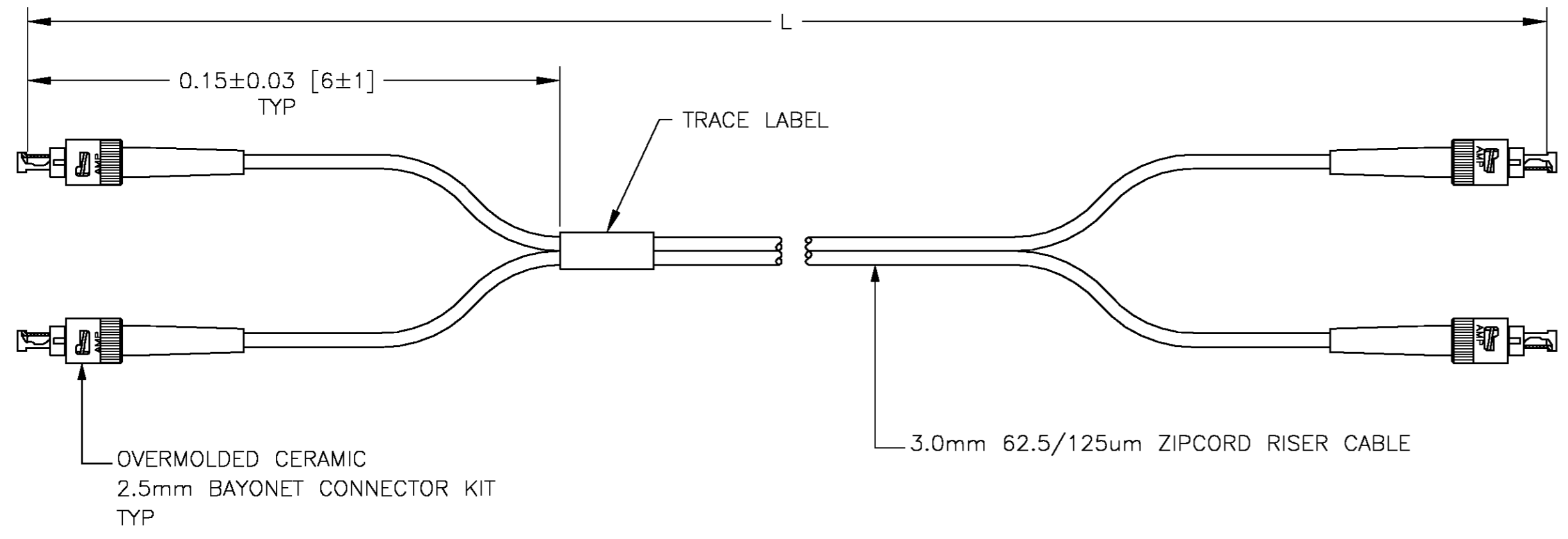
2

1

THIS DRAWING IS UNPUBLISHED. RELEASED FOR PUBLICATION
 © COPYRIGHT BY TYCO ELECTRONICS CORPORATION. ALL RIGHTS RESERVED.

LOC	DIST	REVISIONS					
P	LTR	DESCRIPTION	DATE	DWN	APVD		
CE	16	P		REVISE PER 0A40-0578-04	12NOV04	JWD	JD

1 MAXIMUM INSERTION LOSS IS 0.5dB PLUS CABLE ATTENUATION OF 1.5dB/km AT 1300nm. (SEE TABLE)



MAX IL (dB)	L METERS [INCHES]	PART NUMBER
0.58	50.0±0.50 [1969.0±20.00]	5-503995-0
0.55	30.0±0.30 [1181.0±12.00]	3-503995-0
0.80	200.0±2.00 [7874.0±79.0]	2-503995-2
0.53	20.0±0.30 [787.0±12.00]	2-503995-1
0.51	4.00±0.08 [157.5±3.00]	2-503995-0
0.53	18.29±0.30 [720.00±12.00]	1-503995-9
0.52	14±0.15 [551±6]	1-503995-8
0.52	13±0.15 [512±6]	1-503995-7
0.52	11±0.15 [433±6]	1-503995-6
0.52	15.24±0.30 [600±12]	1-503995-5
0.52	12.19±0.15 [480±6]	1-503995-4
0.51	7.92±0.15 [312±6]	1-503995-3
0.51	6.10±0.08 [240.0±3.0]	1-503995-2
0.50	3.66±0.08 [144.0±3.0]	1-503995-1
0.50	1.22±0.05 [48.0±2.0]	1-503995-0
0.50	0.91±0.05 [36.0±2.0]	503995-9
0.50	0.61±0.03 [24.0±1.0]	503995-8
0.51	0.30±0.03 [12.0±1.0]	503995-7
0.51	7.5±0.08 [295±3]	503995-6
0.51	10±0.15 [394±6]	503995-5
0.51	5±0.08 [197±3]	503995-4
0.50	3±0.05 [118±2]	503995-3
0.50	2±0.05 [79±2]	503995-2
0.50	1±0.05 [39±2]	503995-1

THIS DRAWING IS A CONTROLLED DOCUMENT.

DWN S.URICH 29APR99	AMP Tyco Electronics Corporation Harrisburg Pa, 17105-3608
CHK R.PAUL 19MAY95	
APVD N.MILLER 19MAY95	NAME
PRODUCT SPEC	CABLE ASSY, FIBER OPTIC, 62.5/125um ZIP RISER, OVERMOLDED CERAMIC 2.5mm BAYONET, OPTIMATE
APPLICATION SPEC	SIZE CAGE CODE DRAWING NO RESTRICTED TO
WEIGHT	A2 00779 C-503995
CUSTOMER DRAWING	SCALE NTS SHEET 1 OF 1 REV P